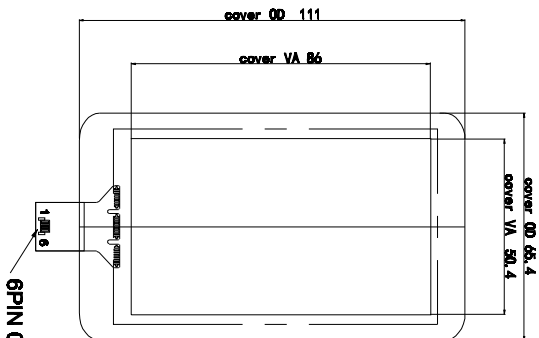
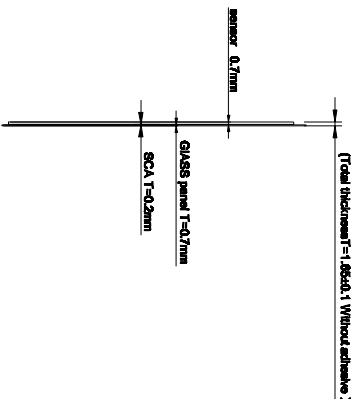


1	2	3	6	7	8
File No:			版本 V1.0	Amend Record First Version.	Charger Date

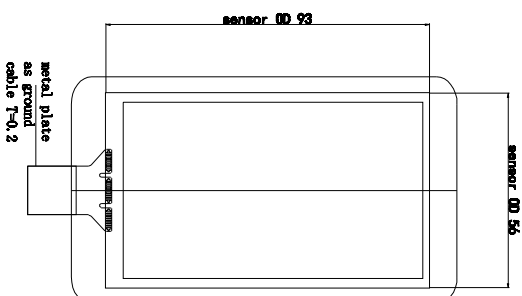
Front 1:1



Side 10:1



Back 1:1



由 Autodesk 教育版产品制作

Item	Specification
1.Structure	G/G
2.IC	GT615
3.Operating temperature	-10℃~60℃:80%RH
4.Storage temperature	-20℃~70℃:80%RH
5.Transparency	85% Min
6.Surface Hardness	7H(Pencil)
7.Tolerance	±0.2
8.Products are RoHS compliant.	

Pin#	ASSIGNMENT
1	SCL
2	SDA
3	VCC
4	RST
5	INT
6	GND

客户确认签字:

		GreenTouch Technology Co.,Ltd	
DRAWN BY:	陈 刚	PRODUCT MODEL:	GT-GT240011
CHECKED BY:	李 敏	CUSTOMER ID:	
APPROVED BY:		DATE:	
Standard tolerance:		UNITS:	mm
公差:		SCALE:	1:1