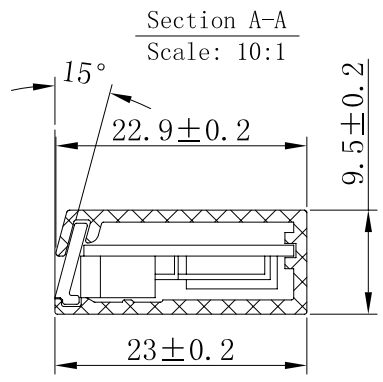
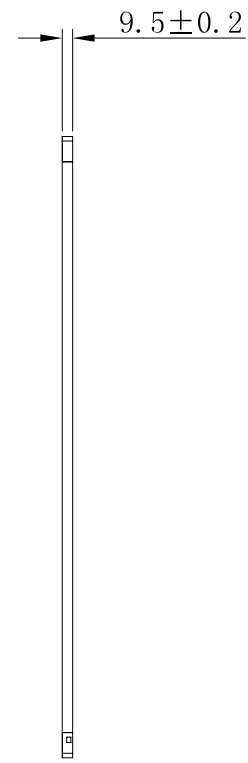
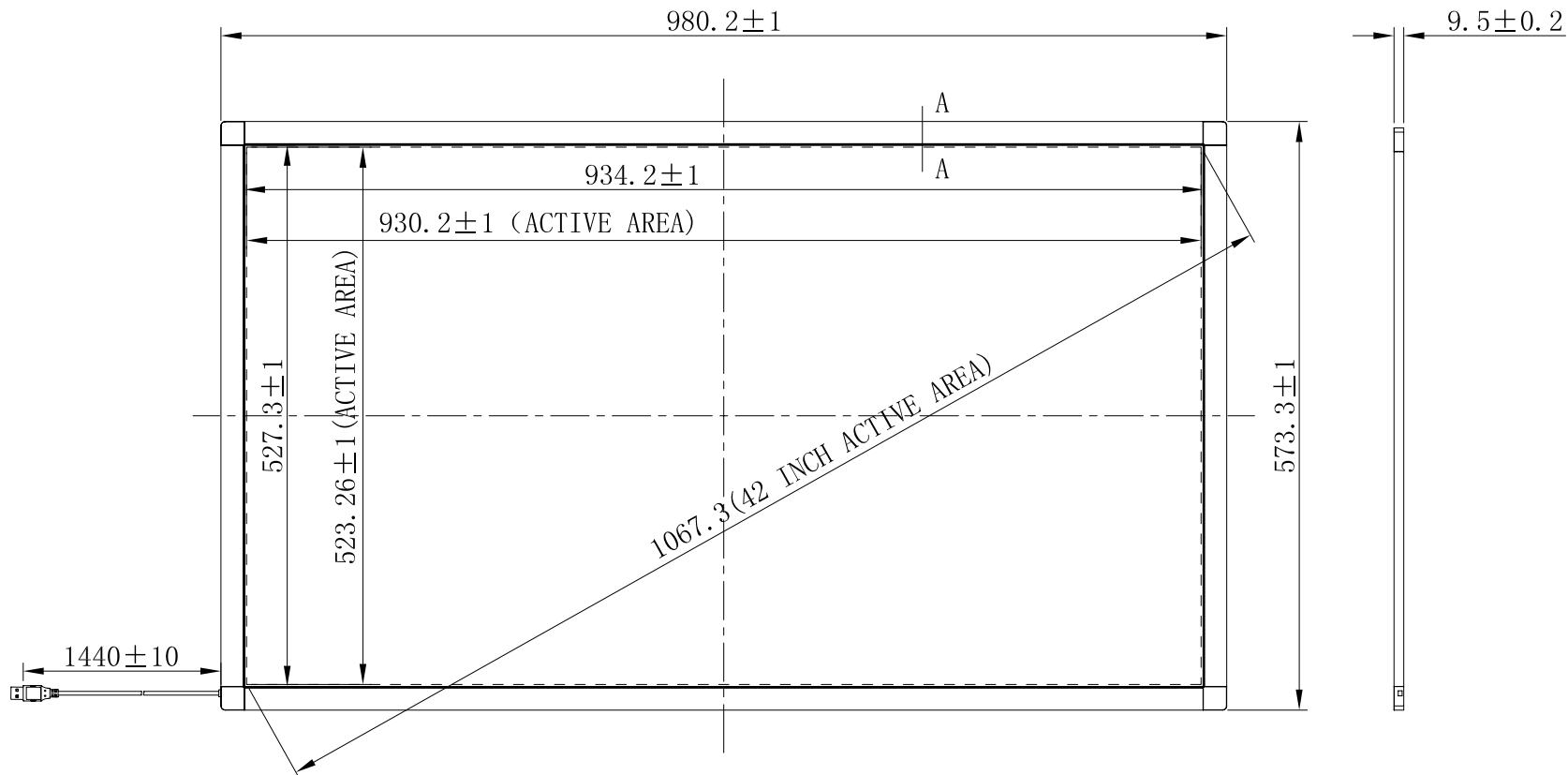


8	7	6	5	4	3	2	1	
Material Code	specification	980.2×573.3×9.5mm-V1.0			LOGO	REV.	Date	Changes
					△			
					△			
					△			

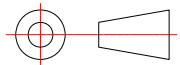


注：1. 此产品参考AU屏设计
2. 此产品不带玻璃

TOLERANCES
(UNLESS OTHERWISE STATED)

DECIMALS	ANGLES	±0.5°
>2000mm	±2.00mm	
1600<x≤2000mm	±1.20mm	
1200<x≤1600mm	±0.80mm	
800<x≤1200mm	±0.50mm	
400<x≤800mm	±0.40mm	
120<x≤400mm	±0.30mm	
30<x≤120mm	±0.20mm	
≤30mm	±0.10mm	

THIRD ANGLE PROJECTION



绿触科技 GreenTouch		Shenzhen GreenTouch Technology Co.,Ltd			
MODEL NO.	GT-IR-F42-1				
PART No.		SCALE	1:1	NOTES:	
PART NAME	产品尺寸图	REV.	1.0		
UNIT	mm	SIZE	FREE		
MATERIAL		SHEET	1/1		
DRAWN				CHK' D	
CHK' D				APP' D	