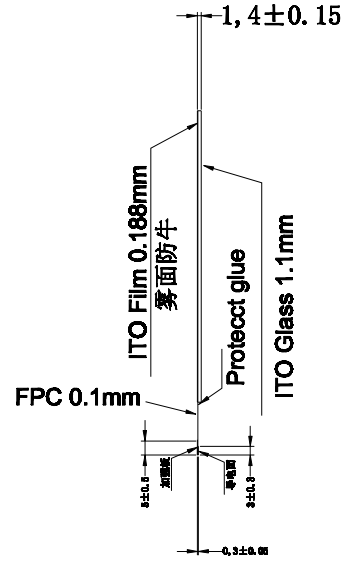
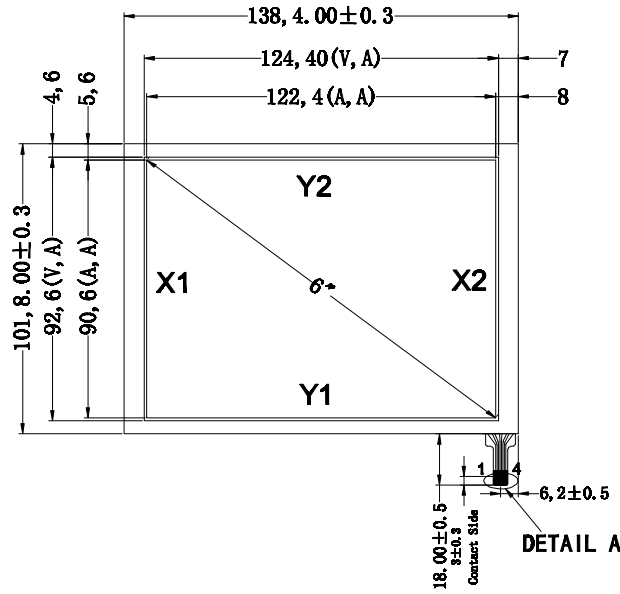
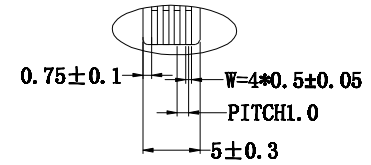


标示	更改内容	签名	日期
1			



Notes:

- 1.Type:ITO Glass+ITO Film+FPC
- 2.Operating Voltage:≤10V
- 3.Operation Temperature: -10℃~50℃  
Storage Temperature:-30℃~80℃
- 4.Life Time:>1,000,000 times
- 5.Connect Material:FPC
- 6.Response Time: ≤10ms
- 7.Linearity: ≤1.5%
- 8.Transmittance: ≥76%
- 9.Surface Hardness: ≥3H(pencil)
- 10.Operation force:60g~150g
- 11.Resistance:X:481Ω-1176Ω  
Y: 152Ω-370Ω



DetailA

PIN	OUT	Contact Side
1	X1	
2	Y1	
3	X2	
4	Y2	

TOLERANCES  
(UNLESS OTHERWISE STATED)  
DECIMALS ANGLES ±0.5°  
>2000MM ±2.00MM  
1600< X ≤2000MM ±1.20MM  
1200< X ≤1600MM ±0.80MM  
800< X ≤1200MM ±0.50MM  
400< X ≤800MM ±0.40MM  
125< X ≤400MM ±0.30MM  
30< X ≤125MM ±0.20MM  
<30MM ±0.10MM

		Shenzhen GreenTouch Technology Co.,Ltd			
Model No.:	GT-4W-6A-1	Size	6"	Ratio	4:3
Structure	G+F	Unit	mm	Scale	1:1
Design	李俊	Date	2016.8.31	Page	1/1
Check	符作书	Date	2016.8.31	Version	A0
Release	汪琛	Date	2016.8.31		